

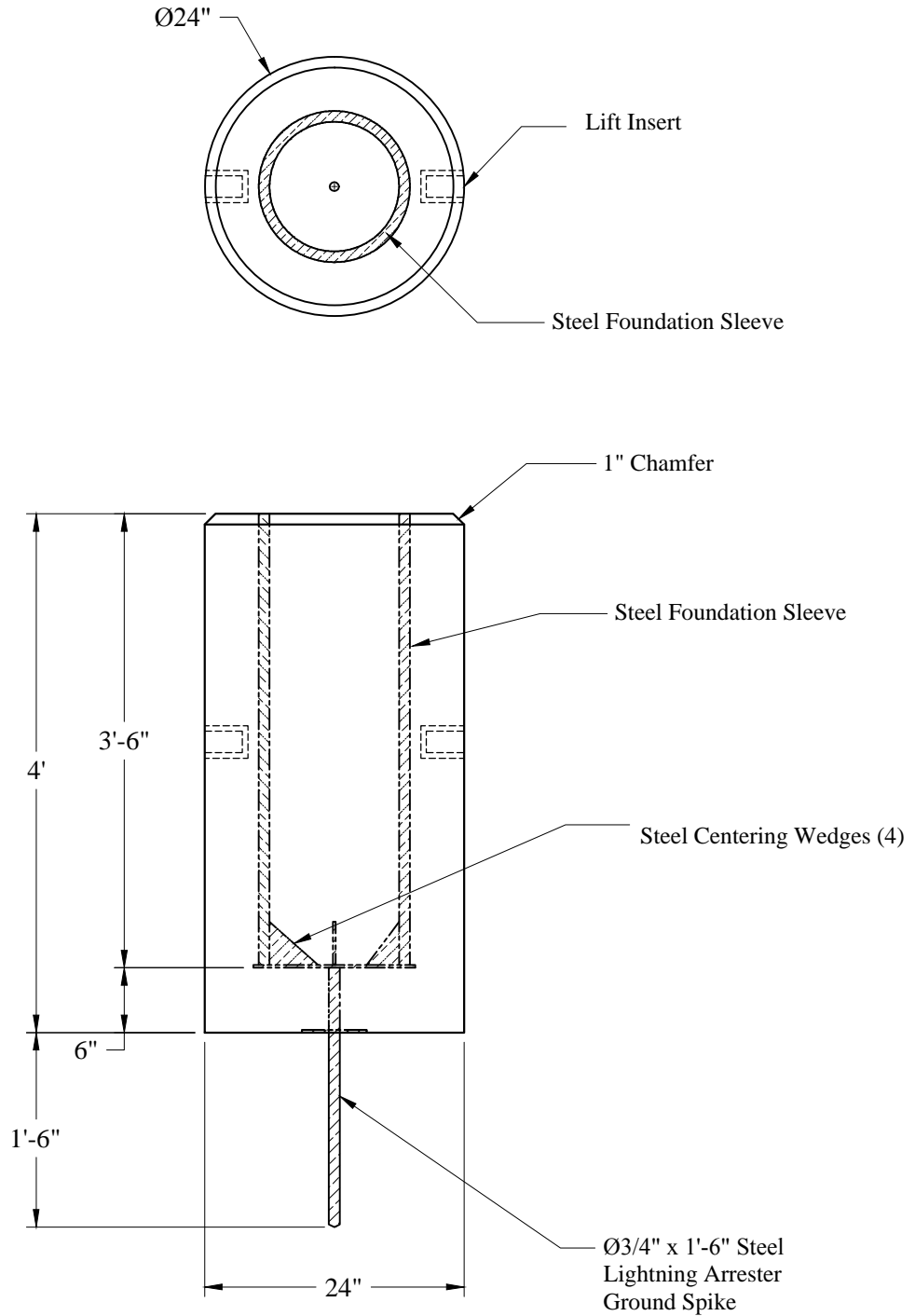
1-800-639-2199

Fax (603) 224-2927

Light Pole Bases (24 Inch Dia x 4 Ft Flagpole Footing)

Phoenix Precast Products

Phoenix Precast Products



General Notes

1. Concrete: $f_c = 4,000$ psi @ 28 Days Minimum
2. Reinforcement Steel Conforms to:
ASTM A615 Grade 60 Black Deformed Bars
3. Est Weight: 1,500 Lbs

Phoenix
Precast
Products

24"Ø x 4'
Flagpole Footing

P/N: FPB24-4